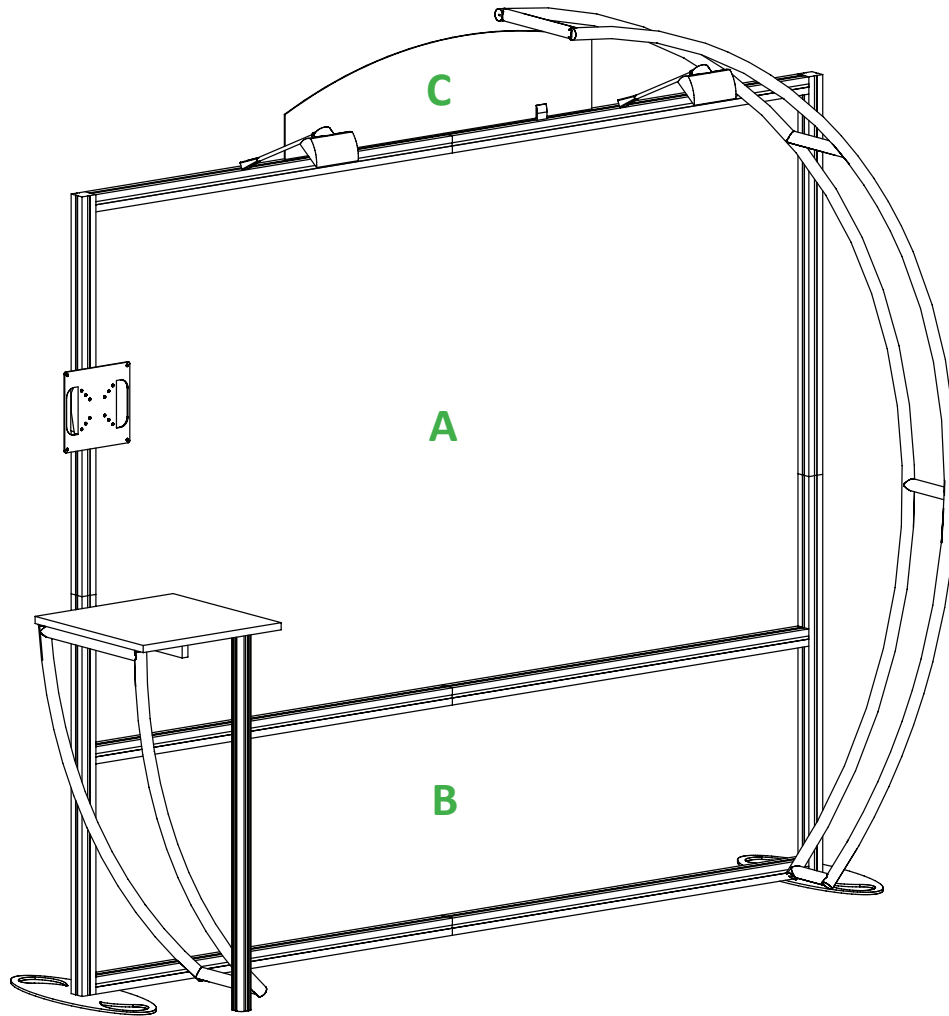


# ECO-1009

PLEASE USE PDF FOR REFERENCE ONLY.

Contact your distributor for final graphic templates per order.



## GRAPHIC SPECS

<b>GRAPHIC A</b>	QTY. 1
MATERIAL:	TENSION FABRIC*
TREATMENT:	PERIMETER VELCRO
APPROX. SIZE:	93.00"w x 56.189"h
<b>GRAPHIC B</b>	QTY. 1
MATERIAL:	TENSION FABRIC*
TREATMENT:	PERIMETER VELCRO
APPROX. SIZE:	93.00"w x 22.375"h
<b>GRAPHIC C</b>	QTY. 1
MATERIAL:	ECO-BOARD
TREATMENT:	DIRECT PRINT
APPROX. SIZE:	40"w x 9.92"h

\* Recycled fabric options available

### Recycled Fabric Graphics

Made from 100% recycled soda bottles, Paradise Fabric is a high quality 100% recycled content fabric, made in America. Recycled fabric options will vary depending on graphic application.

### ECO-Glass

ECO-Glass is a "green" alternative to standard acrylic or plexiglass and is made from 100% post-industrial recycled content. ECO-Glass can be used for infills, accents and direct print graphic substrate. ECO-Glass can be clear or frosted.

### ECO-Board

ECO-Board is a white printable and completely biodegradable polystyrene material. It offers a 2-sided printable surface which makes it an eco-friendly alternative to Sintra (made from PVC), and can biodegrade in a landfill in as little as 9 months. ECO-Board comes in 2 different thicknesses - 1/16" & 1/8."